



2026

[eldom.info](http://eldom.info)

1987 : 560 : 3 : 600 000 : 500

1987 37 560

ELDOM  
ISO 9001 ( ) ISO 14001



ELDOM 500

150 2000 W-Fi 200

7-15

W-Fi

MGMAG, VIG

HFO

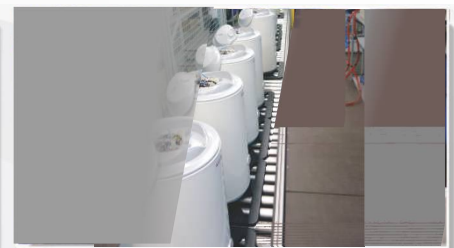
( )

- 600 000

ELDOM-

ELDOM

4



## ELDOM

ELDOMGALANT	W-Fi.....	3 - 4
ELDOMEUREKA	.....	5 - 6
ELDOMSTYLE	STYLE DRY .....	7 - 8
ELDOMSTYLE THERMO	.....	9 - 10
ELDOMTITAN	.....	11 - 12
ELDOMFAVOURITE	7, 10 15 .....	13 - 16
W-Fi.....	.....	17 - 18

## GREEN LINE

LDMGREEN LINE	(S).....	19 - 21
LDMGREEN LINE EUREKA	(S).....	22 - 23
LDMGREEN LINE	(S).....	24 - 26
LDMGREEN LINE	(S2).....	27 - 28

LDMGREEN LINE	(S21).....	29 - 30
LDMGREEN LINE	(D1).....	31 - 32
LDMGREEN LINE	(D2).....	33 - 34

60 - 120L ( E).....	35 - 37
200 - 2000L (BC).....	38 - 39
200 - 2000L (BCE).....	40 - 41





ELDOMGalant

: 50, 65, 80

: DU- , DV-



• Wi-Fi

•

•

•

•

•

- 6
- SHIELD Technology -
- ECO -
- 
- 

ELDOMGalant

279

(

DU -

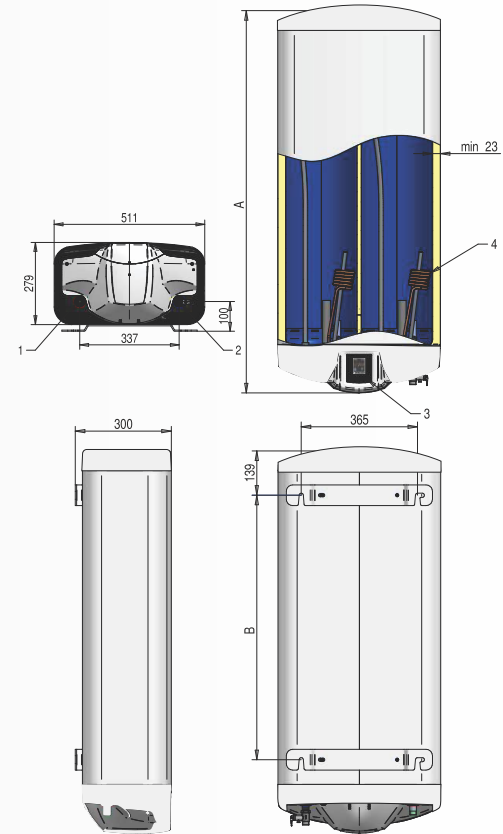


ELDOMGalant

ABS,



	DU060 WAW	DU080 WAW	DU100 WAW	DV060D WAW	DV080D WAW	DV100D WAW
L	50	65	80	50	65	80
kW	1274	1238	1311	1274	1238	1311
Mpa	0.7	0.7	0.7	0.7	0.7	0.7
V	230	230	230	230	230	230
MX 40°C	kW	21+1.2	21+1.2	21+1.2	3x 1000	3x 1000
	L	88	125	166	88	125
kg	27	32	37	27	32	37
1.	G1/2M	G1/2M	G1/2M	G1/2M	G1/2M	G1/2M
2.	G1/2M	G1/2M	G1/2M	G1/2M	G1/2M	G1/2M
3.	+	+	+	+	+	+
4.	+	+	+	+	+	+
mm	838	1033	1228	838	1033	1228
mm	511	511	511	511	511	511
mm	300	300	300	300	300	300
mm	468	663	858	468	663	858



814/2013 DU - , DV -



: 50, 80, 100, 120, 150 200

ELDOMEureka

Eureka



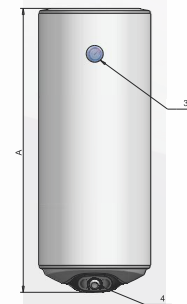
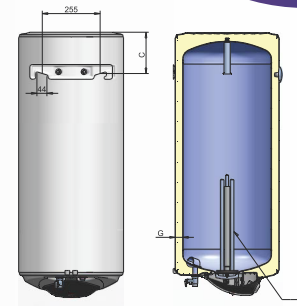
97%

HFO

(Zr)

1 24

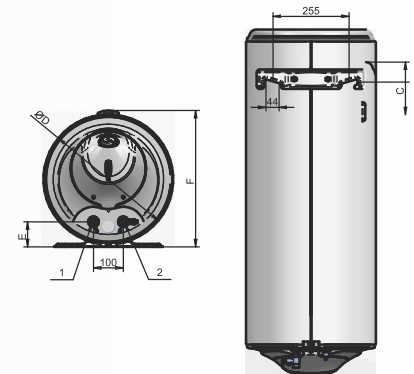
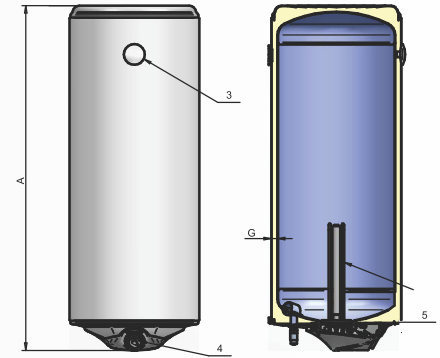
		WWF05039FD	WWF08046FD	WWF10046FD	WWF12046FD	WWF15046FD	WWM20059FD
	L	50	80	100	120	150	200
	C	C	C	C	C	C	C
	kW	1401	1375	1343	1333	2555	2506
	Mpa	0.7	0.7	0.7	0.7	0.7	0.7
	V	230	230	230	230	230	230
	kW	2x 0.8	2x 1.0	2x 1.0	2x 1.0	2x 1.0	2x 1.0
MX 40°C	L	71	121	177	227	283	391
	kg	20	28.5	31.5	36	43	62
1.		G1/2M	G1/2M	G1/2M	G1/2M	G1/2M	G1/2M
2.		G1/2M	G1/2M	G1/2M	G1/2M	G1/2M	G1/2M
3.		+	+	+	+	+	+
4.		+	+	+	+	+	+
5.		+	+	+	+	+	+
6.		+	+	+	+	+	+
	mm	760	1125	1005	1170	1420	1255
	mm	155	155	185	185	185	190
D	mm	387	387	462	462	462	586
E	mm	80	80	96	96	96	105
F	mm	410	410	484	484	484	600
G	mm	33	33	33	33	33	43







		WY03036F WY03036FD	WY03036F WY05036FD	WY08044F WY08044FD	WY08036F WY08036FD	WY10044F WY10044FD
	L	30	50	80	80	100
	C	C	C	C	C	C
	kW	531	1392	1337	1412	1383
	Mpa	0.7	0.7	0.7	0.7	0.7
	V	230	230	230	230	230
	kW	1.5/2 x 0.8/	1.5/2 x 0.8/	2.0/2 x 1.0/	2.0/2 x 1.0/	2.0/2 x 1.0/
MX 40°C	L	76	94	146	139	176
	kg	14/14.5	18/18.5	25/25.5	23/23.5	27/27.5
1		G1/2M	G1/2M	G1/2M	G1/2M	G1/2M
2		G1/2M	G1/2M	G1/2M	G1/2M	G1/2M
3		+	+	+	+	+
4		+	+	+	+	+
5		+	+	+	+	+
	mm	550	750	1115	825	1000
	mm	145	145	145	175	175
D	mm	360	360	360	435	435
E	mm	70	70	70	85	85
F	mm	380	380	380	455	455
G	mm	20	20	20	20	20



F -

FD -

814/2013



80, 100, 120

26.09.2015

EuP ( )

ELDOMStyle thermo



- 
- 
- 
- 
- 

(80 )

SHIELD

HFO, 20

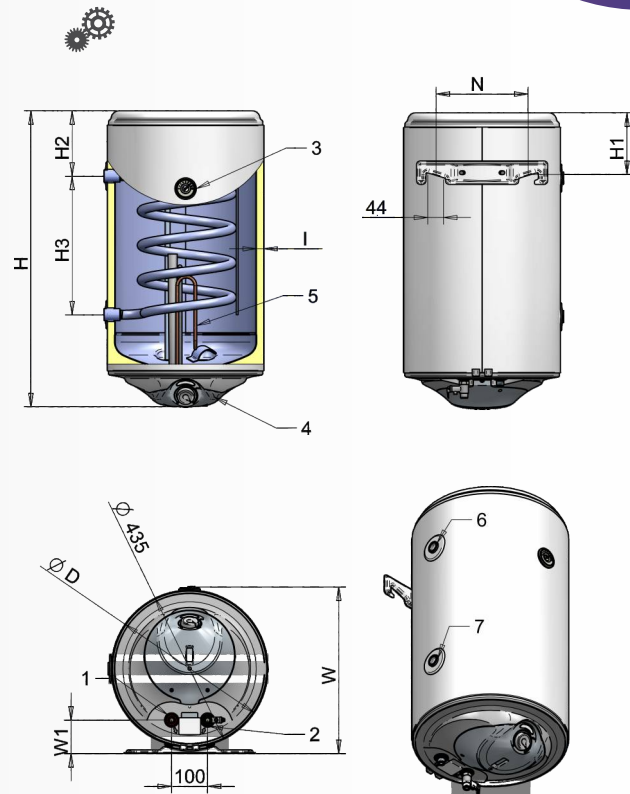
97%

xxxxxFTL-  
xxxxxFTR-

«STYLE»

	...	WY08044FTL/FTR	WY10044FTL/FTR	WY12044FTL/FTR
	...	80	100	120
	MPa	0,7	0,7	0,7
	V~	230	230	230
	kW	2 (3)	2 (3)	2 (3)
	m²	0.24	0.24	0.3
	L	1.15	1.15	1.43
	kW	7.2	7.2	9
	mbar	40	40	45
	kg	26.5	30.5	35.5
1:		G1/2 M	G1/2 M	G1/2 M
2:		G1/2 M	G1/2 M	G1/2 M
3:		-	-	-
4:		-	-	-
5:		-	-	-
6:	-	G3/4 F	G3/4 F	G3/4 F
7:	-	G3/4 F	G3/4 F	G3/4 F
H	mm	835	1005	1170
H1	mm	175	175	175
D	mm	435	435	435
W1	mm	80	80	80
W	mm	457	457	457
I	mm	20	20	20
H3	mm	385	385	450
H2	mm	182	357	458
N	mm	255	255	255

xxxxxFTL-  
xxxxxFTR-





: 200, 300

EldomTitan



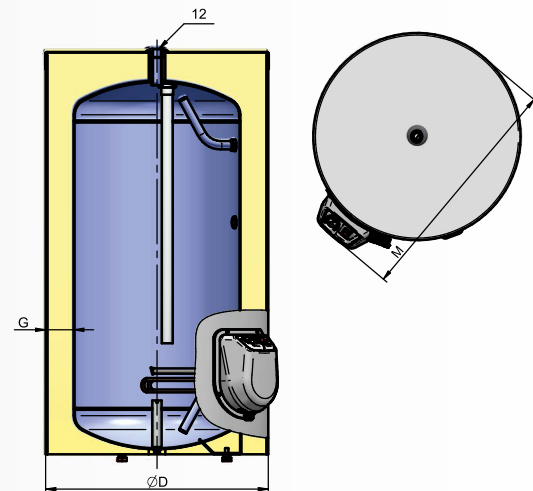
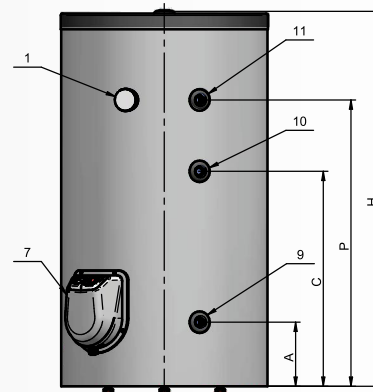
- 
- 
- 
- 
- 
- 

75-85

(Zr)



		FV 20060	FV 30067
	L	200	300
	C		C
	kW	2375	4159
	Mpa	0.8	0.8
	V	230	40
	kW	3	9
MX 40°C	L	372	469
	kg	58	70
1.		+	+
7.		+	+
9.		G3/4F	G3/4F
10.		G3/4F	G3/4F
11-12.		G3/4F	G3/4F
	mm	210	210
	mm	855	840
D	mm	600	670
G	mm	75	85
H	mm	1430	1605
M	mm	690	760
P	mm	1155	1315





: 7, 10 15

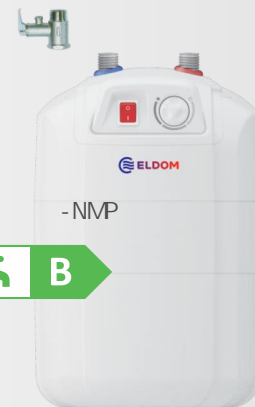


- 
- 
- 
- 
- 
- 
- 
- 

HFO,

97%

(Zr);

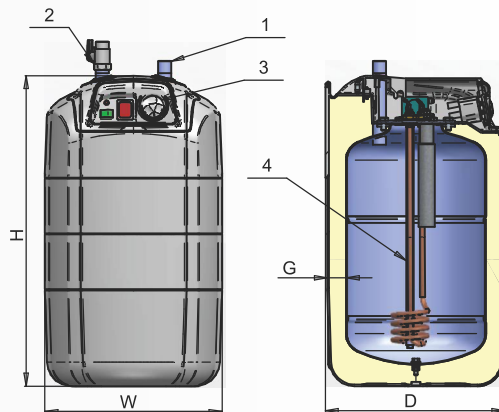
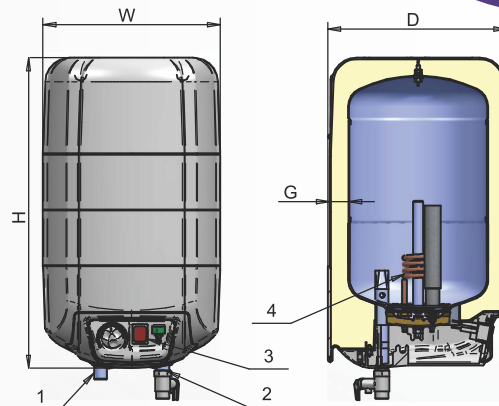




		72324NMP	72325NMP	72326NMP	72324PMP	72325PMP	72326PMP
	L	7	10	15	7	10	15
	B	B	B	B	B	B	B
	kW	89	534	517	95	573	523
	Mpa	0.7	0.7	0.7	0.7	0.7	0.7
	V	230	230	230	230	230	230
	KW	1.5	2	2	1.5	2	2
	kg	6.4	7.4	8.7	6.3	7.6	8.9
1.		G1/2M	G1/2M	G1/2M	G1/2M	G1/2M	G1/2M
2.		G1/2M	G1/2M	G1/2M	G1/2M	G1/2M	G1/2M
3.		+	+	+	+	+	+
4.		+	+	+	+	+	+
W	mm	285	285	285	285	285	285
D	mm	288	288	288	288	288	288
H	mm	340	430	520	340	430	520
G	mm	30	30	30	30	30	30

- NMP

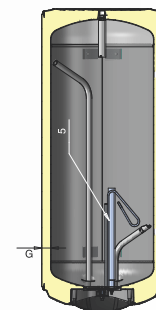
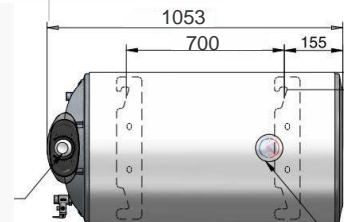
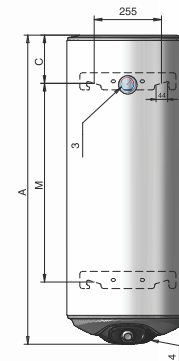
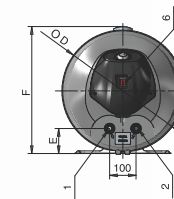
- PMP







		WHF07039FL/R	WWF12046F	WWF15046F	WWM20059F
	L	70	120	150	200
	C	C	C	C	C
	kW	1413	1333	2555	2506
	Mpa	0.7	0.7	0.7	0.7
	V	230	230	230	230
	kW	2.0	3.0	3.0	3.0
MX 40°C	L	95	188	217	292
	kg	21	35	42,5	49
1		G1/2M	G1/2M	G1/2M	G1/2M
2		G1/2M	G1/2M	G1/2M	G1/2M
3		+	+	+	+
4		+	+	+	+
5		+	+	+	+
6		+	+	+	+
	mm	1053	1170	1420	1255
	mm	155	185	185	190
D	mm	387	462	462	586
E	mm	80	96	96	105
F	mm	410	484	484	600
G	mm	33	33	33	43









		RH02W15WAW	RH02W20WAW	RH02W25WAW
		Wi-Fi	Wi-Fi	Wi-Fi
	V	230	230	230
	kW	1.5	2.0	2.5
	°C	7-28	7-28	7-28
	mm	453 x 688 x 84	453 x 880 x 84	453 x 1072 x 84
	mm	200	480	480
	m <sup>2</sup>	12-18	16-22	20-26



ELDOM Green Line

Wi-Fi

Green Line

«MyEldom»



ELDOM  
ECO Design



Wi-Fi



33

HFO



ENIEC -



( )



ISI 316L  
(Mb)





Green Line

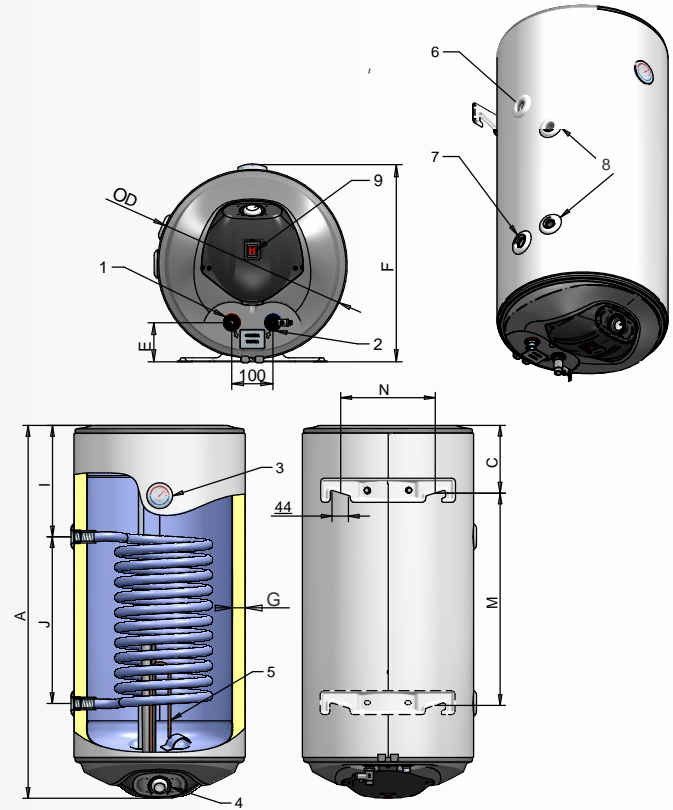


HFO

33

SHILD -

« 6 »;





		WWF15046FSL/FSR WWF15046FS2L/FS2R
	L	150
		B
	Mpa	0.7
	V	230
	W	3000
	m <sup>2</sup>	0.89
	L	4.3
DIN 4708	kW	26
EN 12897	kW	17.3
15 60°C (15 / ; 80°C)	min	24.5
	mbar	55
(EM60379)	W	54
	kg	55
1.		G1/2M
2.		G1/2M
3.		+
4.		+
5.		+
6.	-	G3/4F
7.	-	G3/4F
8.		G3/4F
9.		+

	mm	1420
	mm	185
D	mm	462
E	mm	96
F	mm	484
G	mm	33
I	mm	535
J	mm	640





		WWF10046FSLD/FSRD	WWF12046FSLD/FSRD	WWF15046FSLD/FSRD	WWM20059FSLD/FSRD
	L	100	120	150	200
	B	B	B	B	B
	Mpa	0.7	0.7	0.7	0.7
	V	230	230	230	230
	W	2 x 1000	2 x 1000	2 x 1000	2 x 1000
	m <sup>2</sup>	0.65	0.65	0.89	0.89
	L	3.15	3.15	4.3	4.3
	DIN 4708 kW	19	19	26	26
	EN 12897 kW	13.4	12.2	17.3	17.5
	15 60 °C (15 / ; 80 °C) min	15	20	21	28
	mbar	50	50	55	50
	(EM60379) W	47	51	54	59
	kg	36.5	42	55	69
1		G1/2M	G1/2M	G1/2M	G1/2M
2	-	G1/2M	G1/2M	G1/2M	G1/2M
3		+	+	+	+
4		+	+	+	+
5		+	+	+	+
6	-	G3/4F	G3/4F	G3/4F	G3/4F
7	-	G3/4F	G3/4F	G3/4F	G3/4F
8		G3/4F	G3/4F	G3/4F	G3/4F
9		+	+	+	+
	mm	1005	1170	1420	1255
	mm	185	185	185	190
D	mm	462	462	462	586
E	mm	96	96	96	105
F	mm	484	484	484	600
G	mm	33	33	33	43
I	mm	315	480	535	525
J	mm	440	440	640	450





Eldom Green Line



ELDOM



Wi-Fi



5-  
SHIELD -



EPS



150 2000



( )



AISI 316L  
(Vb)

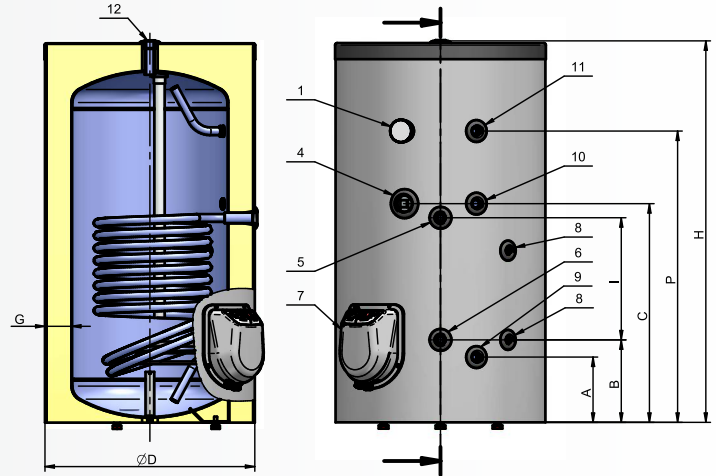
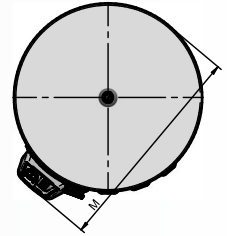




- CFC 150 1000 ;
- EPZ- 1500 2000 ;
- SHIELD -

- AISI 316L (Mb);
- 15%

: 150, 200, 300, 500, 750, 1000





		FV15060S	FV20060S	FV30067S	FV50080S	FV75011S	FV10011S
	L	150	200	300	500	750	1000
	B	B	B	B	B	-	-
(EM60379)	W	45.6	47.5	50.2	70.6	62.8	80
	Mpa	0.8	0.8	0.8	0.8	0.6	0.6
	kg	60	74	88	150	240	272/215
( )	Mpa	1	1	1	1	1	1
	°C	110	110	110	110	110	110
	°C	95	95	95	95	95	95
	m²	0.67	0.9	1.12	1.85	2.03	3.04
	L	3.23	4.33	5.44	12.15	13.34	19.95
DIN 4708	kW	-	25	35	58	65	94
EN 12897	kW	13.7	18.6	19.3	25	26.2	34
EN 12897	min	12	28	39	54	76	70
	mbar	80	120	50	35	30	35
Ma - MX 40°C	L	158	286	405	698	1057	1324
80/60°C	L/min	15	15	30	30	45	60
( )	V	0/230	0/230	0/230/400 3N	0/230/400 3N	0/400 3N	0/400 3N
	kW	0/3	0/3	0/3/6/9	0/3/6/9	0/9/12	0/9/12
1.		+	+	+	+	+	+
4.		G1 1/2F	G1 1/2F	G1 1/2F	G1 1/2F	G1 1/2F	G1 1/2F
5. S1	-	G3/4F	G3/4F	G3/4F	G1F	G1F	G1F
6. S1	-	G3/4F	G3/4F	G3/4F	G1F	G1F	G1F
7.		+	+	+	+	+	+
8.		G1/2F	G1/2F	G1/2F	G1/2F	G1/2F	G1/2F
9.		G3/4F	G3/4F	G3/4F	G1F	G1 1/2F	G1 1/2F
10.		G3/4F	G3/4F	G3/4F	G3/4F	G3/4F	G3/4F
11.		G3/4F	G3/4F	G3/4F	G1F	G1 1/2F	G1 1/2F
12.		G3/4F	G3/4F	G3/4F	G1 1/4F	G1 1/4F	G1 1/4F
B	mm	210	210	210	265	330	330
C	mm	260	260	265	320	420	420
	mm	660	855	840	1000	950	1110
D	mm	600	600	670	800	1100	1100
G	mm	75	75	85	80	125	125
H	mm	1150	1430	1605	1765	1675	2020
I	mm	355	550	530	630	470	630
M	mm	690	690	760	890	1200	1200
P	mm	890	1155	1315	1425	1280	1620



: 150, 200, 300, 500, 750, 1000

W-Fi

500

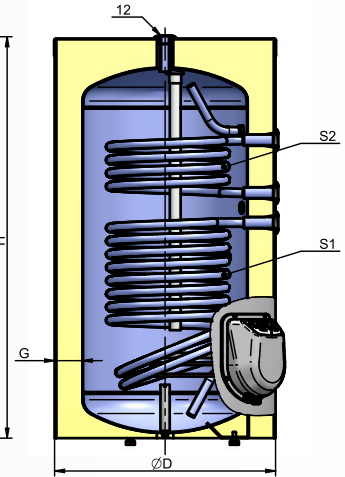
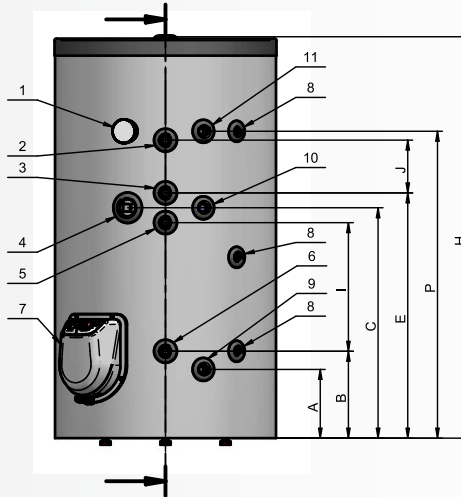
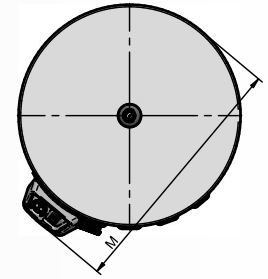


SHIELD -

AISI 316L

15%

(M);





		FV15060S2	FV20060S2	FV30067S2	FV50080S2	FV75011S2	FV10011S2
	L	150	200	300	500	750	1000
	B	B	B	B	B	-	-
(EM60379)	W	46.7	49.4	51.8	76.1	66.5	82
	Mpa	0.8	0.8	0.8	0.8	0.6	0.6
	kg	65	84	99	166	253	292
(S1)	Mpa	1	1	1	1	1	1
	°C	110	110	110	110	110	110
	°C	95	95	95	95	95	95
	m²	0.67	0.9	1.12	1.85	2.03	3.04
	L	3.23	4.33	5.44	12.15	13.34	19.95
DIN 4708	KW	-	25	35	58	65	94
EN 12897	KW	13.7	18.6	19.3	25	26.2	34
(S1)	min	12	28	39	54	76	70
(S2)	m²	0.3	0.38	0.86	1.15	1.22	2.03
	L	1.44	1.82	4.18	7.63	7.99	13.34
DIN 4708	KW	-	10	25	32	35	57
EN 12897	KW	7	18.7	18.3	19.7	21.4	28
(S2)	min	19.5	23	18.6	29.3	49.5	42
	KW	0.3	0.3	0.3/6/9	0.3/6/9	0.9/12	0.9/12
1		+	+	+	+	+	+
2 S2	-	G3/4F	G3/4F	G3/4F	G1F	G1F	G1F
3 S2	-	G3/4F	G3/4F	G3/4F	G1F	G1F	G1F
4		G1 1/2F	G1 1/2F	G1 1/2F	G1 1/2F	G1 1/2F	G1 1/2F
5 S1	-	G3/4F	G3/4F	G3/4F	G1F	G1F	G1F
6 S1	-	G3/4F	G3/4F	G3/4F	G1F	G1F	G1F
7		+	+	+	+	+	+
8		G1/2F	G1/2F	G1/2F	G1/2F	+	+
9		G3/4F	G3/4F	G3/4F	G1F	G1/2F	G1/2F
10		G3/4F	G3/4F	G3/4F	G3/4F	G3/4F	G3/4F
11		G3/4F	G3/4F	G3/4F	G1F	G1F	G1F
12		G3/4F	G3/4F	G3/4F	G1 1/4F	G1 1/4F	G1 1/4F
B	mm	210	210	210	265	330	330
C	mm	260	260	265	320	420	420
D	mm	660	855	840	1000	950	1110
E	mm	600	600	670	800	1100	1100
F	mm	705	900	885	1045	990	1150
G	mm	75	75	85	80	125	125
H	mm	1150	1430	1605	1765	1675	2020
I	mm	355	550	530	630	470	630
J	mm	160	230	400	380	290	470
M	mm	690	690	760	890	1200	1200
P	mm	890	1155	1315	1425	1280	1620



: 200, 300, 500



• CFC

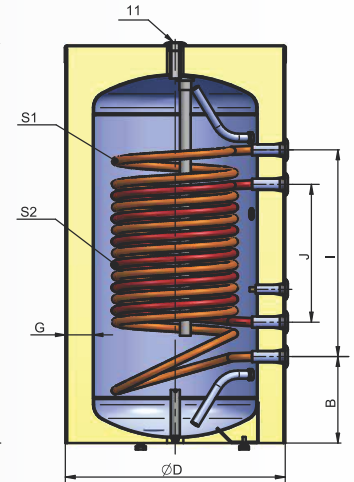
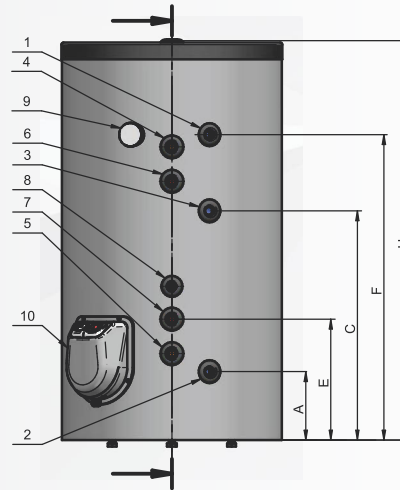
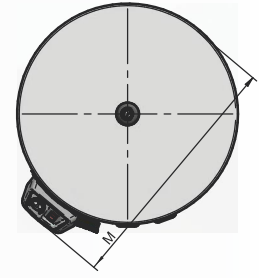
• SHIELD -

200 500 ;

• AISI 316L

• 15%

(Mb);





		FV20060S21	FV30067S21	FV50080S21
	L	200	300	500
	B	B	B	B
(EM60379)	W	52.3	51.3	75.8
	Mpa	0.8	0.8	0.8
( )	kg	81	104	170
	Mpa	1	1	1
	°C	110	110	110
	°C	95	95	95
S1				
S1	m²	0.89	1.33	1.71
S1	L	4.3	6.45	11.21
DIN 4708	kW	25	43	56
EN 12897	kW	17.3	22.5	23
S1	min	24	24	57
S2				
S2	m²	0.67	1.07	1.28
S2	L	3.22	2	8.4
DIN 4708	kW	18	28	34
EN 12897	kW	14	19.5	21.5
S2	min	28.5	25.5	45
	kW	0/3	0/3/6/9	0/3/6/9
1.		G3/4F	G3/4F	G1/4F
2.		G3/4F	G3/4F	G1/4F
3.		G3/4F	G3/4F	G3/4F
4. S1	-	G3/4F	G3/4F	G1/4F
5. S1	-	G3/4F	G3/4F	G1/4F
6. S2	-	G3/4F	G3/4F	G1/4F
7. S2	-	G3/4F	G3/4F	G1/4F
8.		G1/2F	G1/2F	G1/2F
9.		+	+	+
10.		+	+	+
11.		G3/4F	G3/4F	G1 1/4F

	mm	210	210	265
B	mm	260	265	320
C	mm	805	840	1000
D	mm	600	670	800
E	mm	365	370	455
F	mm	1170	1315	1425
G	mm	75	85	80
H	mm	1430	1605	1765
I	mm	910	1050	1105
J	mm	700	840	835
M	mm	690	760	890



: 200, 300, 500

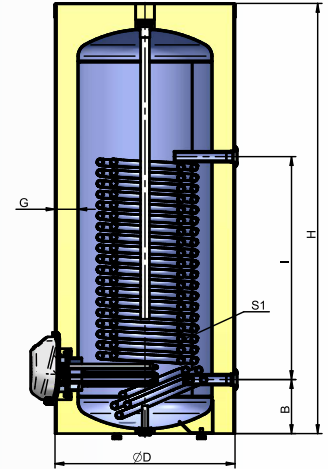
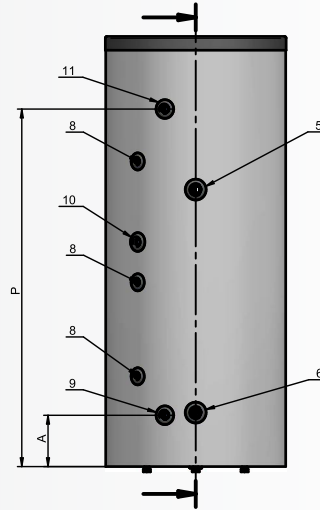
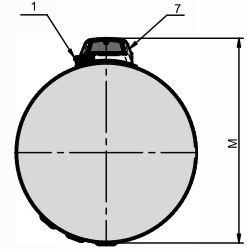


CFC B

SHIELD -

200 500 ;

INOX;





		FV20067D1	FV30067D1
		200	300
		B	B
		48	50
W		0.8	0.8
Mpa		182	249
L		85	85
mm		95	121
kg			
( )			
		1	1
Mpa		110	110
°C		95	95
°C		2.07	3.11
m²		10	15
L		36	47
EN 12897		16.5	16.5
EN 12897		7	13
NL (2)		59	81
DIN 4708		24	33
DIN 4708		40	50
L/min			
mbar			
MX 40°C		305	401
EN 12897			
S1			
( )			
		0/230~	0/230~/400 3N~
V		0/3	0/3/6/9
kW		--/250	--/350/180/120
min			
70° (3)			
°C		75	75
		+	+
1.		G1F	G1F
5. D1-		G1F	G1F
6. D1-			
7.		+	+
8.		G1/2F	G1/2F
9.		G3/4F	G3/4F
10.		G3/4F	G3/4F
11.		G3/4F	G3/4F

	mm	190	190	230
B	mm	200	200	240
D	mm	670	670	800
G	mm	85	85	80
H	mm	1215	1605	1765
I	mm	560	830	890
M	mm	760	760	890
P	mm	950	1330	1455



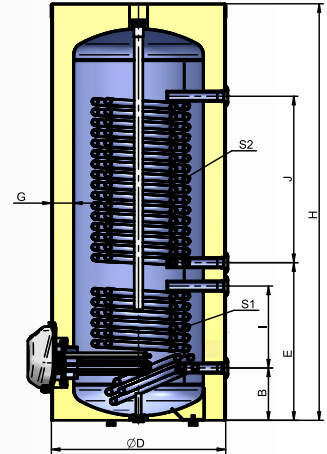
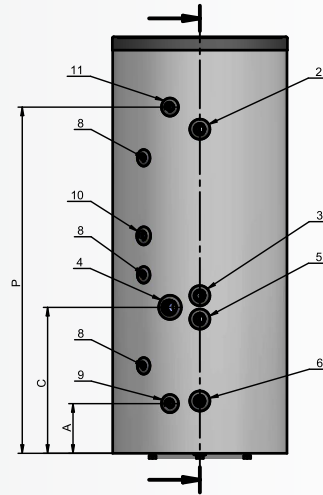
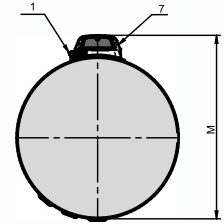
: 200, 300, 500



B  
CFC  
SHIELD -

200 500 ;

INO<sub>2</sub>





		FV20067D2	FV30067D2
		200	300
		B	B
	W	49	52
	Mpa	0.8	0.8
	mm	85	85
	kg	100	129
D1 ( )			
	Mpa	1	1
	°C	110	110
	°C	95/85	95/85
D1			
	m²	0.75	1.19
	L	3.6	5.7
EN 12897	kW	13	21
EN 12897	min	45	40
DIN 4708	kW	22	35
D2			
	m²	1.63	2.37
	L	7.9	11.5
DIN 4708	kW	42	65
DIN 4708	L/min	17	27
EN 12897	min	9	16.9
( )			
	V	0/230~	0/230~/400 3N~
	kW	0/3	0/3/6/9
	°C	75	75
1.		+	+
2. D2-		G1F	G1F
3. D2-		G1F	G1F
4.		G11/2F	G11/2F
5. D1-		G1F	G1F
6. D1-		G1F	G1F
7.		+	+
8.		G1/2F	G1/2F
9.		G3/4F	G3/4F
10.		G3/4F	G3/4F
11.		G3/4F	G3/4F

	mm	190	190	230
B	mm	200	200	240
C	mm	445	560	645
D	mm	670	670	800
E	mm	490	605	700
G	mm	85	85	80
H	mm	1215	1605	1765
I	mm	200	315	350
J	mm	440	640	675
M	mm	760	760	890



ELDOMGreen Line

ELDOMGreen Line

( )



ELDOM



EPS



( )

SHIELD -



AISI 316L (Mb)





Eldom Green Line

( )  
: 60, 80, 120



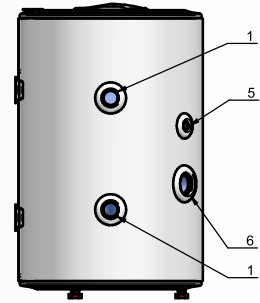
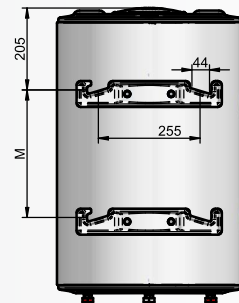
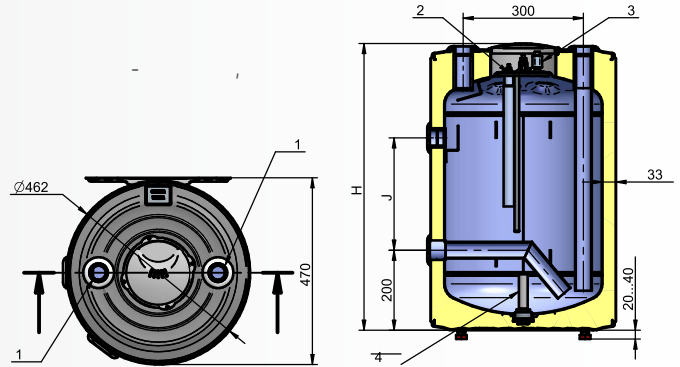
Closed-Cells

97%

-0,021-0,023 Wh/mk.

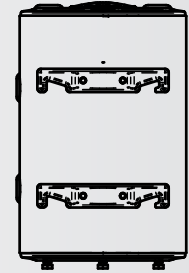
33

SHIELD -

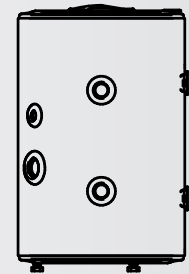




		BCE 60(R)	BCE 80(R)	BCE 120(R)
		60	80	120
		C	C	C
	W	56	60	68
	Mpa	0.6	0.6	0.6
	mm	33	33	33
	kg	29	32	42
1.		G11/4F	G11/4F	G11/4F
2.	( )	+	+	+
3.		G1/4	G1/4	G1/4
4.		+	+	+
5.		G1/2F	G1/2F	G1/2F
6.		G11/2F	G11/2F	G11/2F
H	mm	715	810	1150
J	mm	280	375	715
M	mm	320	415	755



R



"BCE" -

"R" -

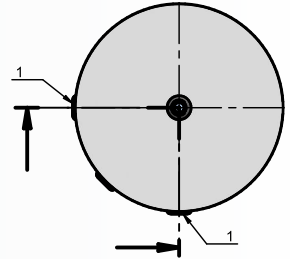
(

R)



: 200, 300, 500, 750,  
1000, 1500, 2000

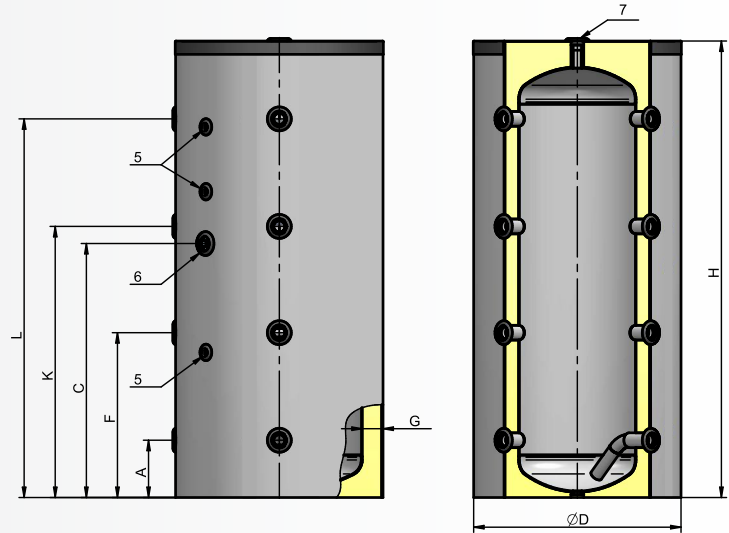
ELDOM Green Line  
200 2000 .  
( )



CFC

200 1000  
EPS-

1500 2000





		BC 200K60	BC 300K	BC 500K80	BC 750K	BC 1000K	BC 1500F	BC 2000F
		200	300	500	750	1000	1500	2000
		B	B	B	-	-	-	-
	W	53	50	73	54	77	155	178
	Mpa	0.3	0.3	0.3	0.3	0.3	0.3	0.3
	mm	75	85	80	125	125	100	100
	kg	53	64	112	172	196	278	322
							EPS	EPS
1.	/	G1 1/2F	G1 1/2F	G1 1/2F	G1 1/2F	G1 1/2F	G2 F	G2 F
5.		G 1/2F	G 1/2F	G 1/2F	G 1/2F	G 1/2F	G 1/2F	G 1/2F
6.		G1 1/2F	G1 1/2F	G1 1/2F	G1 1/2F	G1 1/2F	G1/2 F	G1/2 F
7.	/	G 3/4F	G 3/4F	G1 1/4F	G1 1/4F	G1 1/4F	G2 F	G2 F
A	mm	200	210	240	365	365	385	395
C	mm	855	840	980	890	1090	1220	1230
D	mm	600	670	800	1100	1100	1250	1400
F	mm	515	575	635	645	760	845	855
G	mm	75	85	80	125	125	100	100
H	mm	1430	1605	1765	1675	2020	2210	2255
K	mm	855	945	1045	960	1190	1305	1315
L	mm	1180	1315	1460	1270	1620	1765	1775

K -  
E - EPS



: 200, 300, 500, 750,  
1000, 1500, 2000

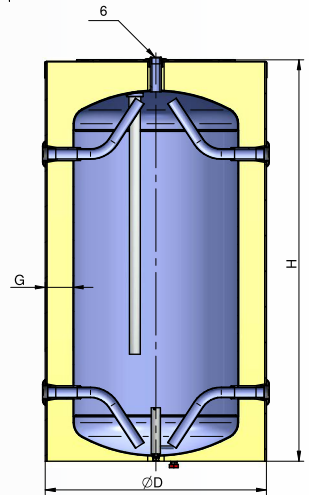
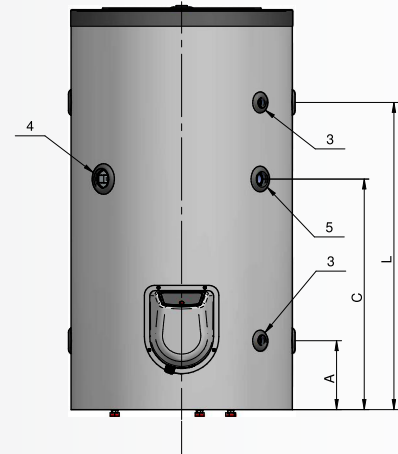
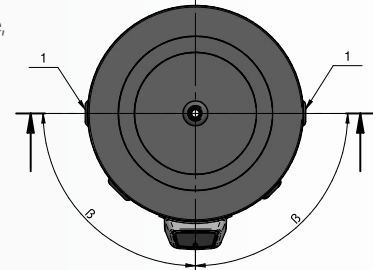


CFC

200 1000 ;  
EPS  
1500 2000 ;

SHIELD -

Eldom Green Line,





		BCE 200K60	BCE 300K	BCE 500K80	BCE 750K	BCE 1000K	BCE 1500F	BCE 2000F
		200	300	500	750	1000	1500	2000
		B	B	B	-	-	-	-
	W	53	50	73	54	77	155	178
	Mpa	0.8	0.8	0.8	0.6	0.6	0.8	0.8
	mm	75	85	80	125	125	100	100
	kg	60	72	124	210	238	367	420
							EPS	EPS
1.	/	G1F	G1F	G11/2F	G2F	G2F	G2F	G2F
2.		+	+	+	+	+	+	+
3.		G1/2F	G1/2F	G1/2F	G1/2F	G1/2F	G1/2F	G1/2F
4.		G11/2F	G11/2F	G11/2F	G11/2F	G11/2F	G11/2F	G11/2F
5.		G1F	G1F	G11/2F	G2F	G2F	G2F	G2F
6.	/	G 3/4F	G 3/4F	G11/4F	G11/4F	G11/4F	G2F	G2F
A	mm	210	210	240	365	365	385	395
C	mm	740	840	980	890	1090	1220	1230
D	mm	600	670	800	1100	1100	1250	1400
G	mm	75	85	80	125	125	100	100
H	mm	1430	1605	1765	1675	2020	2210	2255
L	mm	1165	1315	1425	1235	1585	1765	1775
		90°	90°	90°	45°	45°	45°	45°

K -  
E - EPS

A series of horizontal dashed lines for writing, spanning the width of the page.



« - » :  
, . , . , 79  
: « »  
, 9009, . , 275

(098) 768 12 02  
e-mail: [service.eldom@gmail.com](mailto:service.eldom@gmail.com)

